



Date: \_\_\_\_\_ Type: \_\_\_\_\_

Client: \_\_\_\_\_

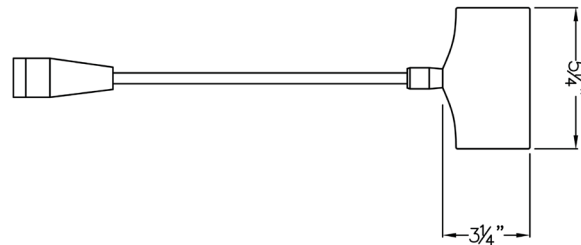
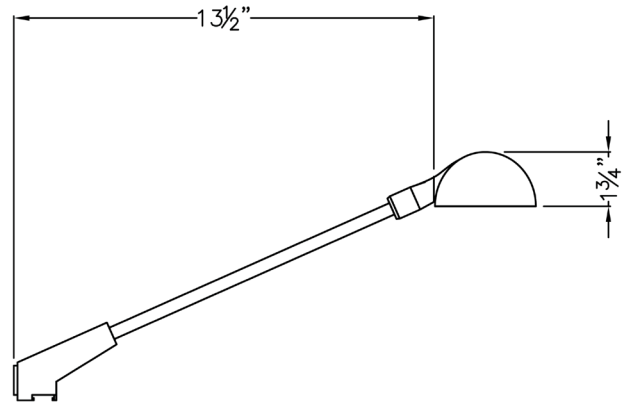
Project: \_\_\_\_\_

## 8822 Arm Light

SkandaLights® Linear Halogen  
Line voltage wall washing arm light - flood

Designed to deliver wall washing, even illumination, without hot spots

- Durable injection molded fixture head
- On/off switch integrated into base of fixture
- Designed for brightest illumination of entire display wall
- Reflector specifically designed to maximize light output with even illumination of backwall without hot spots
- Outstanding range of motion allows for direction of light where desired
- Fixture head design aids in dissipation of heat
- 10' 3 wire power cord (removable)
- Removable cord - allows user to change cord and lamp and use in another country
- 100, 150 or 200 watt lamp included
- Available in black
- Mounts to virtually any application with over 50 clamp/clip styles available
- ETL listed fixture



### Related Products



Clips & clamps



Replacement lamps



Cord set



Power strips

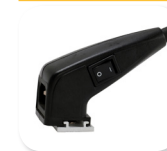
### Other views



Replacement glass



Thumb screws



Clamp view



Head view



Display Supply & Lighting, Inc.

Display Supply & Lighting, Inc.  
1247 Norwood Avenue  
Itasca, IL 60174 USA  
TF 800.468.1488  
P 630.285.9660  
F 630.285.9670  
www.dslgroup.com

Copyright © 2012 Display Supply & Lighting, Inc. All rights reserved. All brand or product names are trademarks or registered trademarks of their respective owners. Due to continuous improvements and innovations, specifications may change without notice.