



Date: _____ Type: _____

Client: _____

Project: _____

CTL1527 Track Light

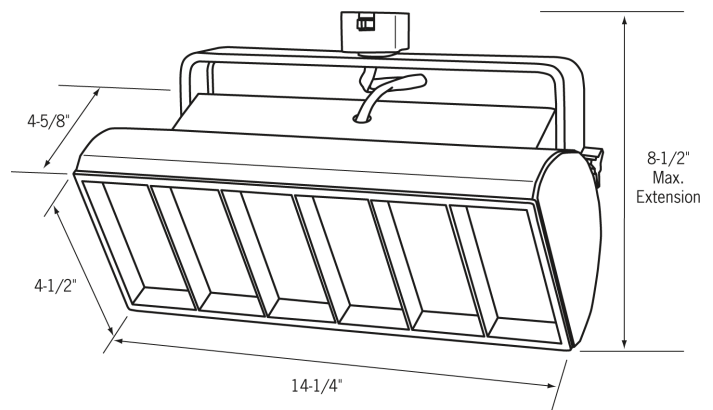
Line Voltage

Wall washer fluorescent

- Dual bi-x wall washing track light with high efficiency aluminum reflector and parabolic louvers for glare control
- Internal electronic ballast
- Uses two – 27 watt bi-x lamps
- Fixture available in black or white
- Call for other size fluorescent track fixtures
- UL listed fixture

Product Advantages:

- Versatile multidirectional line voltage fixture
- Holds desired position securely
- Great high output white light



Related Products



Track



CLA6 - End feed w/ cord & plug



CLA2 - Mini connector



CLA3 - Flexi-connector



CLA12 - Straight/L connector



CLA15 - T Connector



Power strips



Display Supply & Lighting, Inc.

Display Supply & Lighting, Inc.
1247 Norwood Avenue
Itasca, IL 60174 USA
TF 800.468.1488
P 630.285.9660
F 630.285.9670
www.dslgroup.com

Copyright © 2012 Display Supply & Lighting, Inc. All rights reserved. All brand or product names are trademarks or registered trademarks of their respective owners. Due to continuous improvements and innovations, specifications may change without notice.