



Date: _____ Type: _____
Client: _____
Project: _____

CTL916 Track Light

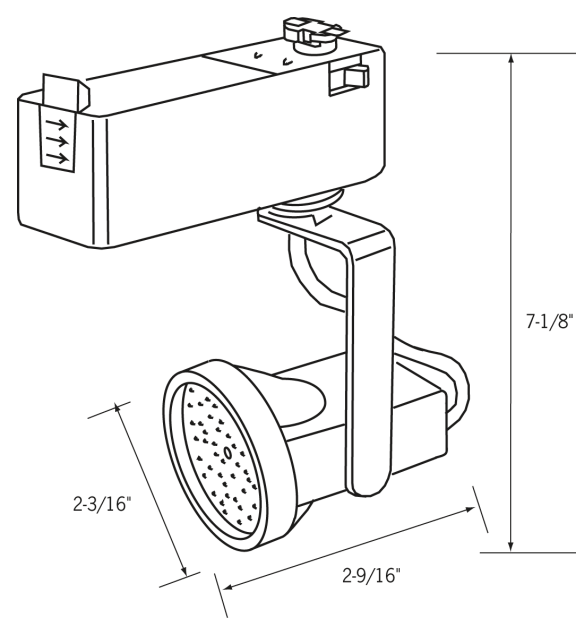
Low Voltage

Tapered back style

- Rear open design allows for efficient lamp heat dissipation
- Two piece housing for convenient front re-lamping
- Versatile aiming capability to achieve any desired accent lighting effect
- 75W MR16 lamp maximum or LED option available
- Requires CLLA2050N or CLLA2075N transformer
- Available in white or black finishes
- UL listed fixture

Product Advantages:

- Versatile multidirectional low voltage fixture
- Holds desired position securely
- Uses MR16 lamp for good white light output



Related Products

 CLLA2050N Transformer	 Track	 CLLA6 - End feed w/ plug & cord	 Replacement lamps
 CLLA2 - Mini- connector	 CLLA3 - Flexi-connector	 CLLA12 - Straight/L connector	 Power strips