

Date: _____ Type: _____

Client: _____

Project: _____



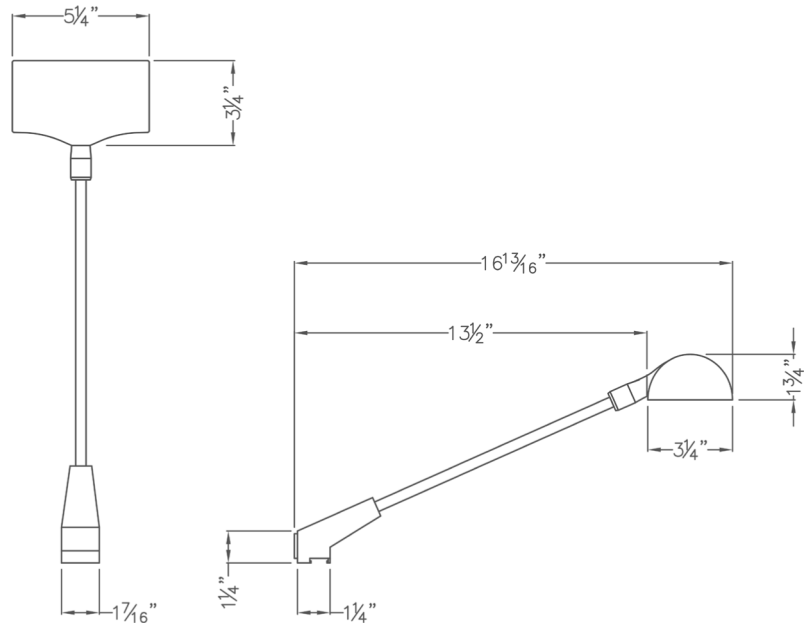
LED 8822

SkandaLights® LED

LED wall washing arm light - flood

Designed to deliver wall washing, even illumination, without hot spots

- Draws approximately 17.5 watts of power
- Light output of generation 3 LED board is equivalent to a 200 watt linear halogen lamp
- Fixture is listed to both UL and CSA standards
- Custom heat sink to properly cool the LED's
- Over 60 clips and clamps fit base of fixture to allow for use in the widest range of mounting applications
- Available in silver or black
- ETL Listed - The entire fixture and power supply has been tested as a complete unit for safety as an integrated fixture - not just a fixture using some approved components
- FLAT LED BOARD - No exposed LEDs to break in shipping or while installing. Our flat LED diodes are embedded into a custom circuit board for long term durability and enhanced light output
- Clear Lens included for additional protection
- RECESSED LED BOARD - Recessed 1/4" inside of the fixture head to further protect the LED board and reduce shadowing
- 15' CORD - Thin cord is 15' long to allow for feeding through structures like extrusions
- CONSISTENT COLOR TEMPERATURE- The clean output of our fixtures provides a consistent quality of light (4100K)



Watts	AMPS	Volts	Lumens	Weight	Color Temp
17.5	.625	24	1980	.85 lbs	Neutral White 4100K

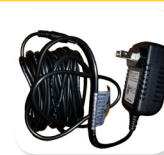
Related Products



Clips & clamps



Power strips



Cord set

Other views



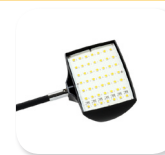
Available in silver



Clamp end



Head view - back



Head view



Display Supply & Lighting, Inc.

Display Supply & Lighting, Inc.
1247 Norwood Avenue
Itasca, IL 60143 USA
TF 800.468.1488
P 630.285.9660
F 630.285.9670
www.dslgroup.com

Copyright © 2018 Display Supply & Lighting, Inc. All rights reserved. All brand or product names are trademarks or registered trademarks of their respective owners. Due to continuous improvements and innovations, specifications may change without notice.