

Date: _____ Type: _____

Client: _____

Project: _____

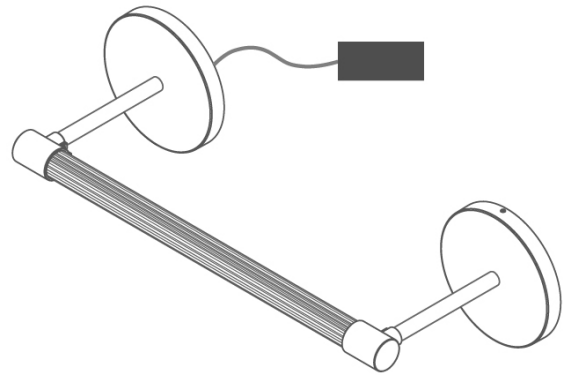


CLTLPWM & CLTLPWMC

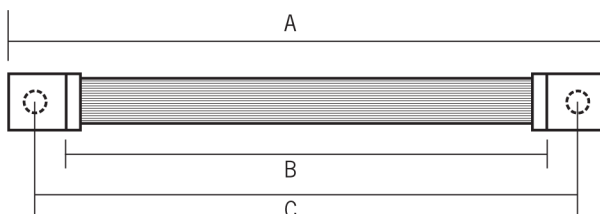
Wall Mount Bracket & Center Support Wall Mount Bracket

CLTLPWM & CLTLPWMC wall mount brackets are for use with round mounting channel for the CLLED Tapelight Series

- Bracket assembly includes: canopy, elbow, mounting plate, and mounting hardware (Stem and round extrusion sold separately).
- Field cuttable stem and extrusion with lockable aiming.
- Provides excellent heat sinking and protection to the LEDs while ensuring a clean, straight run.
- Clear or frosted lens can be added to cover LEDs.
- cCSAus Certified to UL standards.
- Suitable for damp locations.
- Not suitable for ceiling mount.



Tape Output	Lumens Per Foot	Wattage Per Foot
Standard Output (SO) Tapelight	65 Lm/ft	0.73W/ft
High Output (HO) Tapelight	135Lm/ft	1.44W/ft
Super High Output (SHO) Tapelight	440Lm/ft	3.24W/ft



Extrusion Length (B)	Overall Length (A)	Centered Mounting Location (C)
10"	12"	11"
22"	24"	23"
34"	36"	35"
46"	48"	47"
58"	60"	59"
70"	72"	71"



Display Supply & Lighting, Inc.

Display Supply & Lighting, Inc.
 1247 Norwood Avenue
 Itasca, IL 60143 USA
 TF 800.468.1488
 P 630.285.9660
 F 630.285.9670
 www.dslgroup.com

CLTLPWM

Tapelight Series

Wall Mount Bracket - Parts Needed for Full Assembly

Date: _____ Type: _____

Client: _____

Project: _____



Plug and Play Input Power Connector: Includes (1) male plug connector and (1) male flex tape connector.
CLLEDPC19



Hardwire Input Power Connector: Includes wire pigtail end and (1) male flex tap connector.
CLLEDPC19HW



Plug-and-Play Power Supply: 120V/12VAC. Includes AC wall plug and female power output plug for easy installation. Plug-in unit measures 3-1/4"L x 1-3/4"W x 1-1/4" D
CLLEDDRIVER24/12



Desktop Plug-and-Play Power Supply: 120V/12VAC. Includes AC wall plug and female power output plug for easy installation. Desktop unit: 4"L x 2"W x 1-1/4"D
CLLEDDRIVER36/12 - 36W, System Length 10'
CLLEDDRIVER60/12 - 60W, System Length 12'



Hardwire Power Supply: 120V/12VAC. Includes wire pigtails on input and output sides. Must be maintained within an enclosure that meets local building codes and NEC (supplied by others).
CLLEDDRIVER20/12
CLLEDDRIVER60/12
CLLEDDRIVER60/12/277

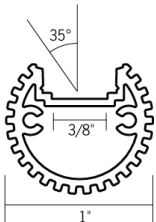


Hardwire Class II Enclosed Driver: 120V/12VAC. Dimmable Class 2 driver. Compact self-enclosed driver with two (2) knockouts. Auto Reset and short circuit protection. 120V Dimming only, no low voltage dimming.
CLLEDDRIVER20DIM - 120V/20W:
6-3/4"L x 2-5/8"W x 1-1/4"D

CLLEDDRIVER60/12/277 - 120V/60W:
6-3/4"L x 2-5/8"W x 1-1/4"D

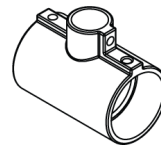


Aluminum Mounting Channel: Provides excellent heat sinking and protection to the LEDs while ensuring a clean, straight run.
CLLEDCHANRND - Aluminum
CLLEDCHANRND - Black



Wall Mount Bracket: For use with round mounting channel. Field cuttable stem, with lockable aiming. Stem sold separately. Not approved for ceiling mount.

- CLTLPWM2-B** - 2" wall mount bracket, Black
- CLTLPWM2-S** - 2" wall mount bracket, Aluminum
- CLTLPWM5-B** - 5" wall mount bracket, Black
- CLTLPWM5-S** - 5" wall mount bracket, Aluminum



- CLTLPWMC2-B** 2" center support wall mount bracket - Black
- CLTLPWMC2-S** 2" center support wall mount bracket - Aluminum
- CLTLPWMC5-B** 5" center support wall mount bracket - Black
- CLTLPWMC5-S** 5" center support wall mount bracket - Aluminum

Wall Mount Bracket Stems



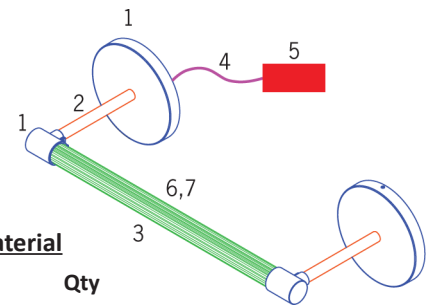
- CLWMSTEM6B** - 6" stem - Black
- CLWMSTEM6S** - 6" stem - Aluminum
- CLWMSTEM12B** - 12" stem - Black
- CLWMSTEM12S** - 12" stem - Aluminum

Acrylic Diffusion Lens



For use with mounting channel. Provides extra protection for the LEDs as well as diffusion to reduce glare.

- CLLEDDIFFCLEAR** - Clear Lens
- CLLEDDIFFUSERNEW** - Frosted Lens



Sample Bill of Material

Item #	Part #	Qty
1	CLTLPWM5	(2)
2	CLWMSTEM12	(2)
3	CLLEDCHANRND	(1)
4	CLLEDPC19HW	(1)
5	CLLEDDRIVER20/12	(1)
6	CLLEDT3K	(1)
7	CLLEDDIFFUSERNEW	(1)



Display Supply & Lighting, Inc.

Display Supply & Lighting, Inc.
1247 Norwood Avenue
Itasca, IL 60143 USA
TF 800.468.1488
P 630.285.9660
F 630.285.9670
www.dslgroup.com

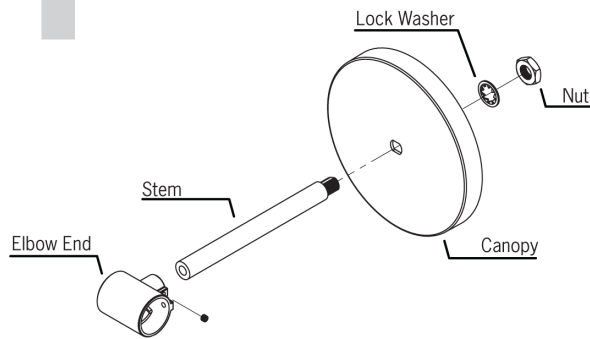
INSTALLATION INSTRUCTIONS

Wall Mount Bracket with Round Extrusion

- Please read all instructions prior to installation.
- Product should be installed by a qualified electrician.
- Prior to installation, please test all tapelight components to ensure no damage has occurred during shipment and layout materials to check bill of material.
- In hardwire applications, ensure power is off at fuse box to prevent electrical shock.

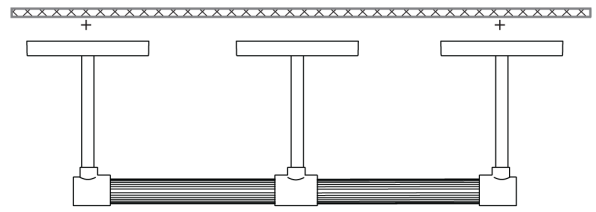
1

First, assemble both elbow kits, including stem and canopy cover.



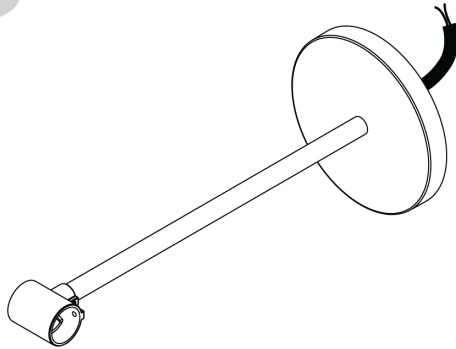
2

Mark mounting plate locations. Mock-up both end canopies, and middle support canopy (if needed), to confirm mounting locations.



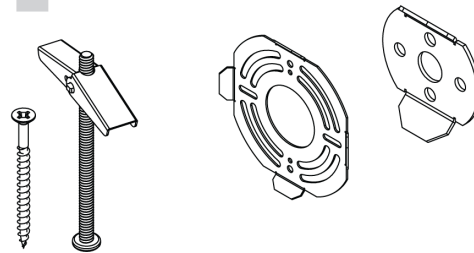
3

On the power feed side, run input connector through elbow assembly. Be sure to leave extra slack at the elbow end.



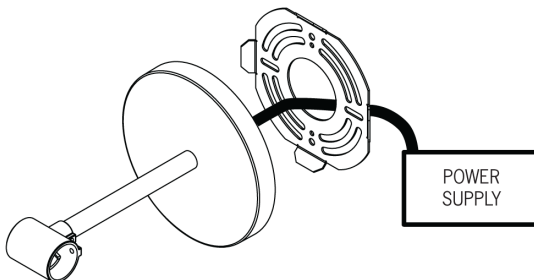
4

Next, attach both mounting plates to the finished surface (hardware is included).



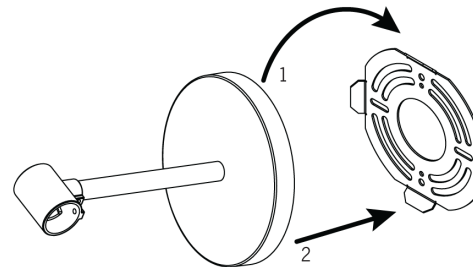
5

For the power feed side, plug in the input connector from the back of the canopy to the remote 12V power supply. Please reference the tapelight installation instructions for additional details.



6

Attach power feed canopy assembly to the mounting plate by hooking the top of the canopy over the top of the mounting plate and then push down the bottom of the canopy over the lower mounting tab. DO NOT add lower set screw to the canopy.



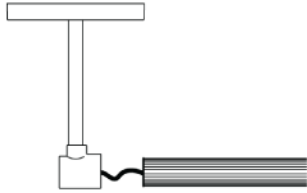
Display Supply & Lighting, Inc.

Display Supply & Lighting, Inc.
1247 Norwood Avenue
Itasca, IL 60143 USA
TF 800.468.1488
P 630.285.9660
F 630.285.9670
www.dslgroup.com

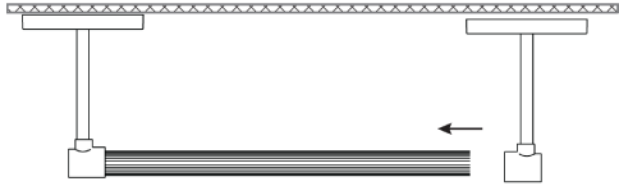
INSTALLATION INSTRUCTIONS

Wall Mount Bracket with Round Extrusion

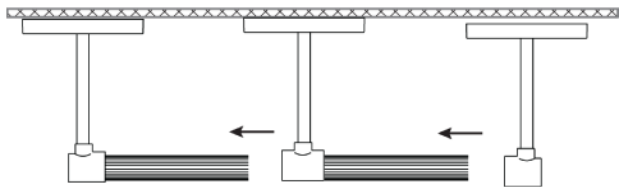
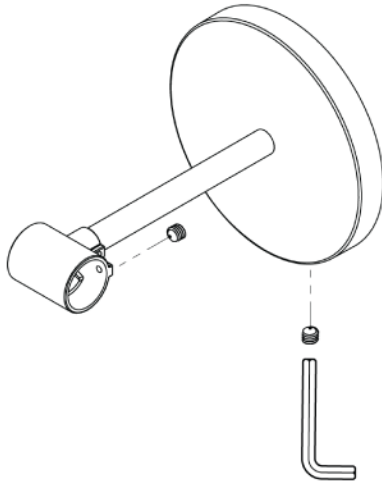
- 7** Slide in round extrusion with tapelight in place*. Plug in input connector to end of tape. If necessary, pull excess wire from behind mounting plate.
*Reference tapelight instructions for mounting tapelight.



- 8** Next, slide non-power feed end onto the round extrusion and then attach to the mounting plate (refer to step 5). You may need to lift the power feed canopy at the same time. Depending on length, this may require an extra person.



- 9** Finally, adjust the round extrusion to the desired angle of rotation and tighten the set screw on the elbow end. Lock in the set screw on the bottom of the canopy.



Middle Support Example

IMPORTANT SAFETY INSTRUCTIONS:

- Read all the instructions before installation. Save instructions for later use.
- Turn off power at fuse or circuit breaker box before installation or before doing any maintenance work.
- Product must be grounded to avoid potential electric shock and any other potential hazards.
- Product must be mounted in locations and at heights and in a manner consistent with its intended use, and in compliance with National Electrical Code and local codes. Use of accessory equipment is not recommended.
- Installing contrary to instructions may cause unsafe conditions.
- Do not block light from the trim aperture, in whole or in part, as this may cause unsafe conditions.
- **Warning:** Risk of fire. Most dwellings built before 1985 have supply wire rated at 60°C. Consult a qualified electrician before installation.
- To avoid hazards to children, account for all parts and properly dispose of all packing materials.



Display Supply & Lighting, Inc.

Display Supply & Lighting, Inc.
1247 Norwood Avenue
Itasca, IL 60143 USA
TF 800.468.1488
P 630.285.9660
F 630.285.9670
www.dslgroup.com