



Date: \_\_\_\_\_ Type: \_\_\_\_\_

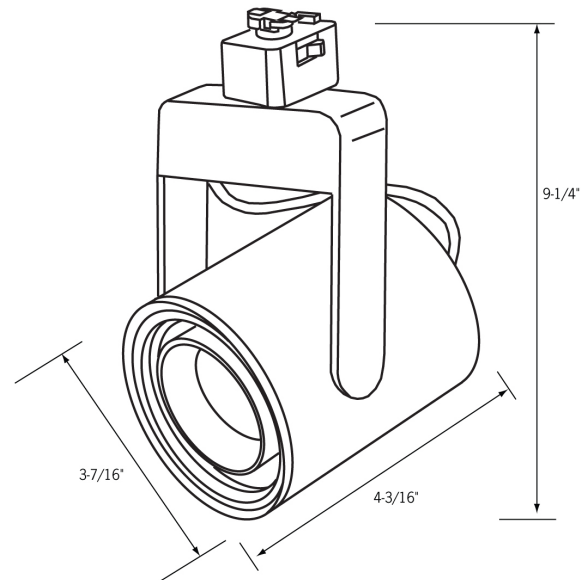
Client: \_\_\_\_\_

Project: \_\_\_\_\_

## CLCTL1016 Track Light

### Low Voltage Flat Back Cylinder

- Compact fixture utilizes MR16 lamps for exceptional color, efficiency, and beam control.
- Built-in Solid State 120V-12V transformer concealed in the fixture yoke.
- The “Sure-Set” yoke design firmly holds any aiming position without unsightly knobs and provides 350° rotation.
- Fixtures are available in black or white.
- Deep set die-cast black baffle provides full cut-off.
- Integral on/off switch and track polarity indicator are standard.
- Will accept one LF16 lens.
- On fixtures designed for use with MR16 lamps, a clear, tempered safety glass is provided. This safety glass should only be used with open MR16 lamps, and not used with MR16 lamps that contain an integral glass lens. This safety glass should be removed if use of MR16 with front glass is required.
- Max. Lamp: 50W MR16 12V, GU5.3 Base.
- Transformer is RFI shielded to FCC standards.
- cULus listed.
- Suitable for dry locations.



#### Related Products



Track



CLA6 - End feed w/ cord & plug



CLA2 - Mini connector



CLA3 - Flexi-connector



Replacement lamps



CLA12 - Straight/L connector



CLA15 - T connector



Power strips



Display Supply & Lighting, Inc.

Display Supply & Lighting, Inc.  
1247 Norwood Avenue  
Itasca, IL 60143 USA  
TF 800.468.1488  
P 630.285.9660  
F 630.285.9670  
www.dslgroup.com

Copyright © 2016 Display Supply & Lighting, Inc. All rights reserved. All brand or product names are trademarks or registered trademarks of their respective owners. Due to continuous improvements and innovations, specifications may change without notice.